



## TC-C34HN Spec:I3/E/Y/C/2.8mm/V4.2

Turret Camera

SuperLite Series



### KEY FEATURES

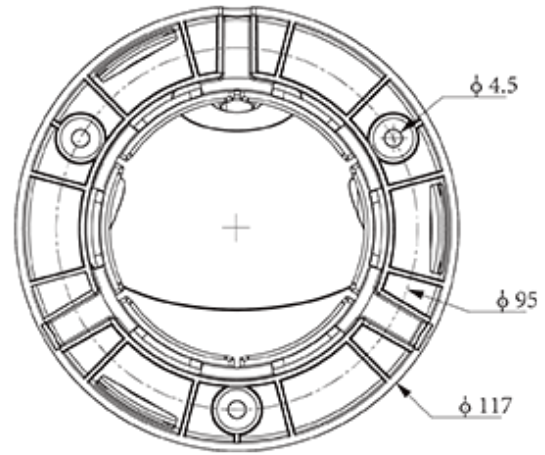
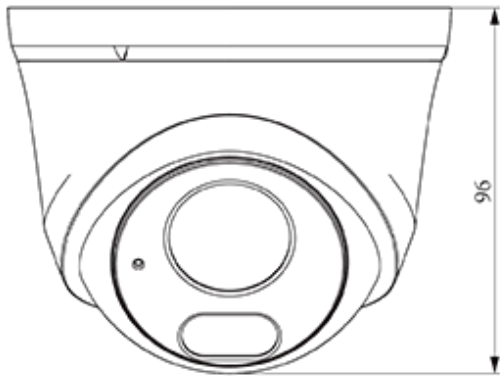
- Metal+plastic housing
- Up to Max. Resolution
- S+265/H.265/H.264B/H.264M/H.264H
- Color:0.02Lux@(F1.6,AGC ON),B/W:0Lux with IR
- IR Range 30m
- Built-in Mic
- Support Smart surveillance
- Operating Conditions -30°C~60°C(No turning on the light), Humidity 95% or less (no condensation)
- POE 802.3af,MAX 6W
- IP66

## SPECIFICATIONS

Camera	
Image Sensor	1/2.7"CMOS
Min. Illumination	Color:0.02Lux@(F1.6,AGC ON),B/W:0Lux with IR
Shutter Time	1s~1/100000s
Day&Night	IR-cut filter with auto switch (ICR)
WDR	DWDR
S/N	>39dB
Angle Adjustment	0~340°(P); 0~75°(T); 0~360°(R)
Lens	
Lens Type	Fixed focal lens
Focal Length	2.8mm
Lens Mount	M12
Aperture Range	F1.6
Field of View	109°(H); 59°(V); 125.4°(D)
DORI Distance	Detect:56m Observe:22.2m Recognize:11.2m Identify:5.6m
Illuminator	
IR LEDs	2
IR Distance	30m
Wavelength	850nm
Compression Standard	
Video Compression	S+265/H.265/H.264B/H.264M/H.264H
Video Bit Rate	32k~6Mbps
Audio Compression	G.711A/G.711U/ADPCM_D
Audio Sampling Rate	8kHz/32kHz/48kHz
Image	
Main Stream	PAL:25fps(2688×1520, 2560×1440, 2304×1296, 1920×1080, 1280×720) NTSC:24fps(2688×1520, 2560×1440), 30fps(2304×1296, 1920×1080, 1280×720)
Sub Stream	PAL:25fps(704×576, 704×288, 640×360, 352×288) NTSC:30fps(704×480, 704×240, 640×360, 352×240)
BLC	Yes
HLC	Yes
AGC	Yes
3D DNR	Yes
White Balance	Auto/Semi-Auto/Manual/Sunshine/Nature Light/Warmlight Lamp/Daylight Lamp/Filament Lamp/Lock White Balance
ROI	8 rectangular static areas
OSD	Overlay of additional characters in 1 regions, 1 line, with a maximum of 48 characters or 16 Chinese characters per region; 16*16/32*32/48*48/64*64
Privacy Mask	4 black static areas

Defog	Yes
<b>Feature</b>	
Alarm Trigger	Motion Detection; Mask Alarm; IP Address Conflict
Linkage Method	trigger capture
Video Analytics	Tripwire; Perimeter
Rules of behavior analyse in 1 scene	2
<b>Network</b>	
Protocols	HTTP; HTTPS; TCP/IP; UDP; UPnP; ICMP; DHCP; DNS; DDNS; Easy DDNS; NTP; QoS; IPv4; SSH; Unicast; RTSP; FTP
System Compatibility	P2P(Mutually exclusive with Profile G); ONVIF Profile S/T; CGI; Milestone
Remote Connection	≤2
Client	Easy7 Smart Client
Moblle Client	EasyLive Plus
<b>Interface</b>	
Communication Interface	1*RJ-45,10/100 Mbps self-adaptive Ethernet port
<b>General</b>	
Web Client Language	19 languages Simple Chinese/Traditional Chinese/English/Spanish/Korean/Italian/Turkish/Russian/Thai/ French/Polish/Dutch/Hebrew/Arabic/Vietnamese/German/Ukrainian/Portuguese/Albanian
Operating Temperature	-30°C~60°C(No turning on the light)
Operating Humidity	Humidity 95% or less (no condensation)
Storage Temperature	-30°C~60°C
Storage Humidity	Humidity 95% or less (no condensation)
Power Supply	POE 802.3af,MAX 6W
Protection	Surge4000V; ESD6000V; IP66
Boundary Dimensions	117(L)117(W)96(H)mm
Package Dimensions	140(L)140(W)120(H)mm
GrossWeight	0.42kg

## DIMENSIONS (Unit: mm)



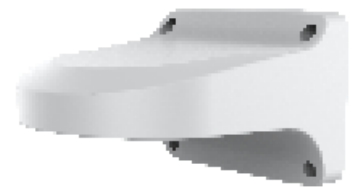
## Assembly diagram of Junction Box



TC-P54BM Spec:V5



A36



A29